



imagic® MAX 10 (E 9410)

Technical tips for fast implementation

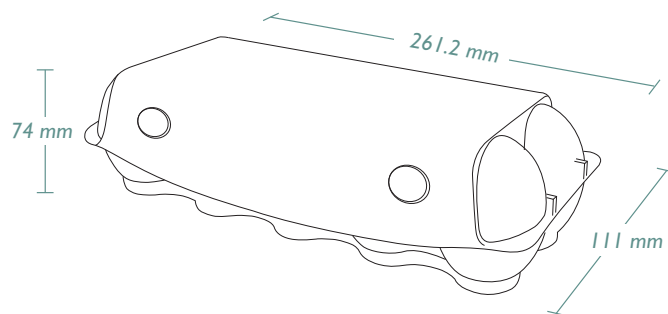
We are pleased to provide you with a few implementation tips to ensure that you can benefit from the advantages of the **imagic®** as quickly as possible.

Egg Design:

Our **imagic®** egg cell is constructed for weight class XL (73 g - 90 g).

Dimensions:

Closed: Width: 111 mm
 Height: 74 mm
 Length: 261.2 mm



Average packaging weight:

Label: 61.7 g
 Direct print: 57.1 g

Quantities:

Pallet:	44 one way	Units per bundle: 56	Units per pallet: 3,024
	79 one way UK	Units per bundle: 124	Units per pallet: 4,464



Gripper sets *imagic*® MAX 10 (E 9410):

Moba Code:

HA1004

Denester settings:

New Denester (Type B)

L	G	J	11	12
17	15	26	10	40

Gripper Set No.:

900

Staalkat Code:

HA-041

Colours (codes):

- yellow (11), sunflower (51), walnut (55), terracotta (59),
- champagne (06), green (08), grass (68), ocean (64),
- grey (20), white (00)

Label:

4-colour label: offset, special colours on request

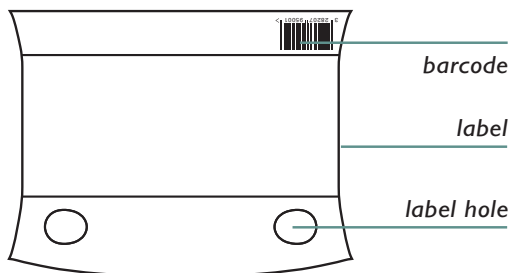
Direct print:

Top: 6-colour, front and rear: 4-colour

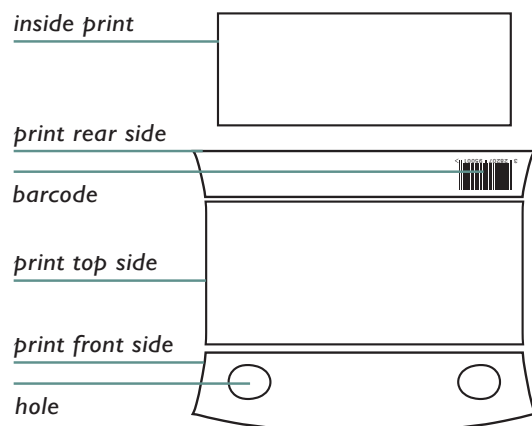
Inside print:

2-colour

label



print areas



Modules for labels and print areas can be downloaded at www.hartmann-packaging.com