



## imagic® 10 (E 9910)

### Technical tips for fast implementation

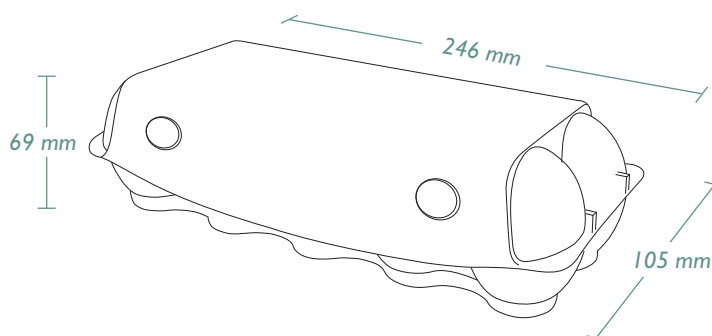
We are pleased to provide you with a few implementation tips to ensure that you can benefit from the advantages of the **imagic®** as quickly as possible.

#### Egg Design:

Our **imagic®** egg cell is constructed for weight classes S, M, L.

#### Dimensions:

Closed:           Width: 105 mm  
                       Height: 69 mm  
                       Length: 246 mm



#### Average packaging weight:

Label:             44.0 g  
 Direct print:    41.4 g

#### Quantities:

Pallet:	44 one way	Units per bundle: 56	Units per pallet: 3,920
	79 one way UK	Units per bundle: 124	Units per pallet: 4,960



**Gripper sets *imagic*® 10 (E 9910):**

Moba Code:

HA1002

Denester settings:

New Denester (Type B)

L	G	J	11	12
15	12	26	13	36

Gripper Set No.:

900

Staalkat Code:

HA-034

Colours (codes):

- yellow (11),  sunflower (51),  walnut (55),  terracotta (59),
- champagne (06),  green (08),  grass (68),  ocean (64),
- white (00),  coral red (57)

Label:

4-colour label: offset, special colours on request

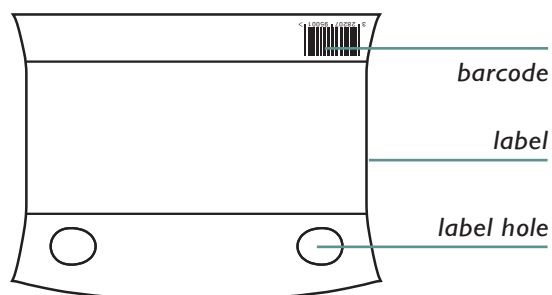
Direct print:

Top: 6-colour, front and rear: 4-colour

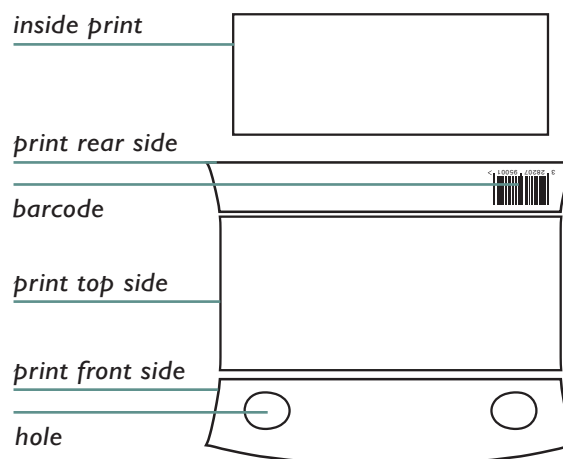
Inside print:

2-colour

**label**



**print areas**



Modules for labels and print areas can be downloaded at [www.hartmann-packaging.com](http://www.hartmann-packaging.com)